

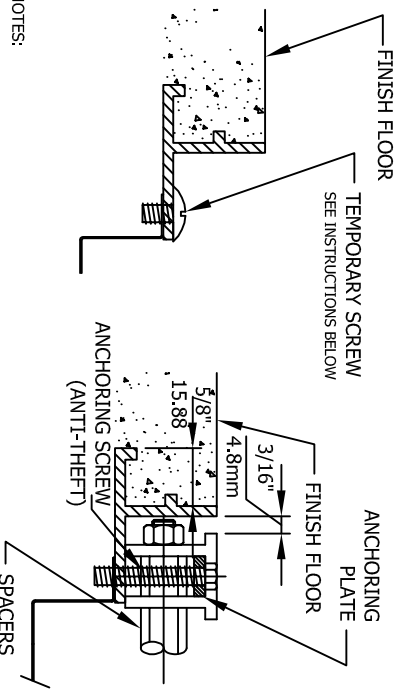
NOT AVAILABLE IF LEVEL BASE

NOT AVAILABLE IF LEVEL BASE

NOTES:
 -LOCKSETS MECHANISM ARE ATTACHED TO THE GRILLE WITH STAINLESS STEEL RIVETS.
 -LOCKSETS ARE MADE OF TEFLON AND GALVANIZED STEEL.

SCREW / ANTI-THEFT SCREW

(Transport & Installation)



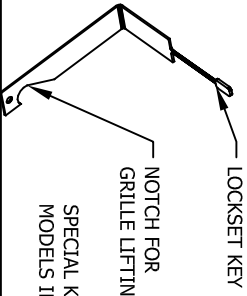
NOTES:

THE FRAME ARE NOT PRE-DRILLED FOR PROPER ALIGNMENT ON SITE. PLEASE FOLLOW ALL THE INFORMATION IN THE ENCLOSED ENVELOPE WITH THE SHIPMENT.
 DRILL HOLES ON FRAME DONE ON SITE BY THE GENERAL CONTRACTOR, PLEASE USE A BIT 7/32 FILLET TAPE 1/4-20 NC (NOT INCLUDED).

IF YOU NEED MORE INFORMATION PLEASE CONTACT GRILLAGE BOLAR (CANADA) INC. :

PHONE # 450-435-7385
 TOLL FREE # 1-800-552-6527
 NOT AVAILABLE WITH BCH-4 AND BCH-5

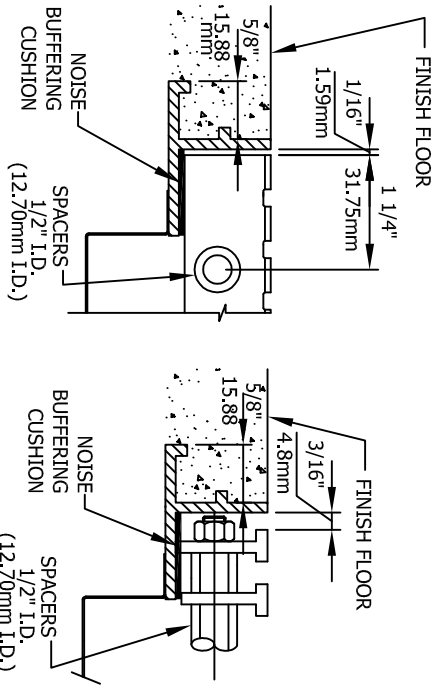
OPTION 4



SPECIAL KEY INCLUDED WITH ALL GRILLE MODELS INCLUDING GB-46 LOCKSET.

OPTION 5

NOISE BUFFERING CUSHION (NEOPRENE GASKET)



OPTIONAL

THE FOOT GRILLE MODEL SHOWN IS NOT REPRESENTATIVE, FOR INFORMATION ONLY

REVISION:
 REVISION DATE:

CONTRACTOR:

ARCHITECTS:

DISTRIBUTOR:

BOLAR BLAINVILLE, QUÉBEC
<http://www.bolar.com> TEL: (450) 435 7385
webmaster@bolar.com FAX: (450) 435 3600

PROJECT:

DATE:
 DRAWN BY:
 APPROVED BY:

PO Nb:
 DWG Nb: